



doCay

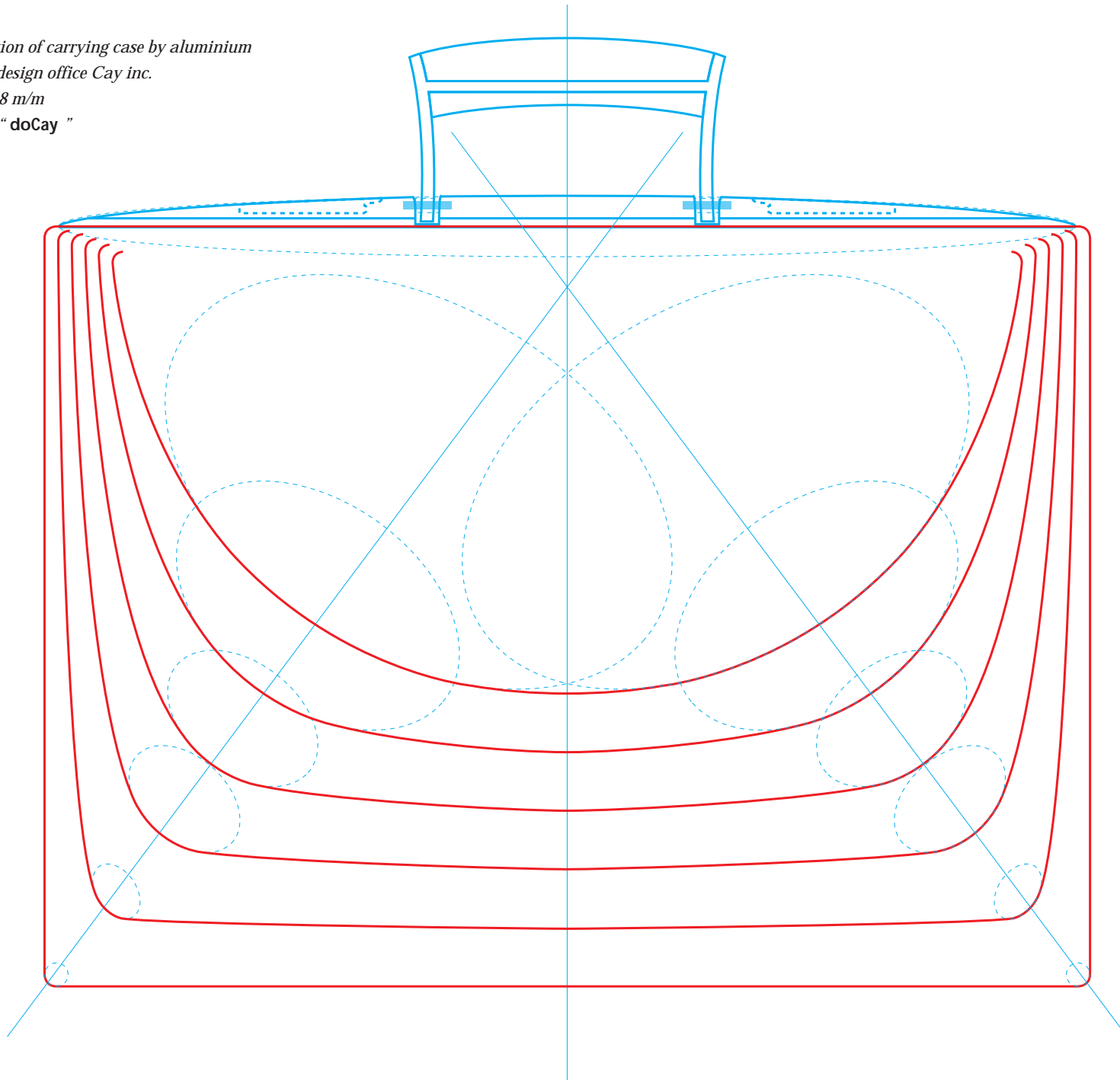
©© 1991-1999 by design office CAY inc.



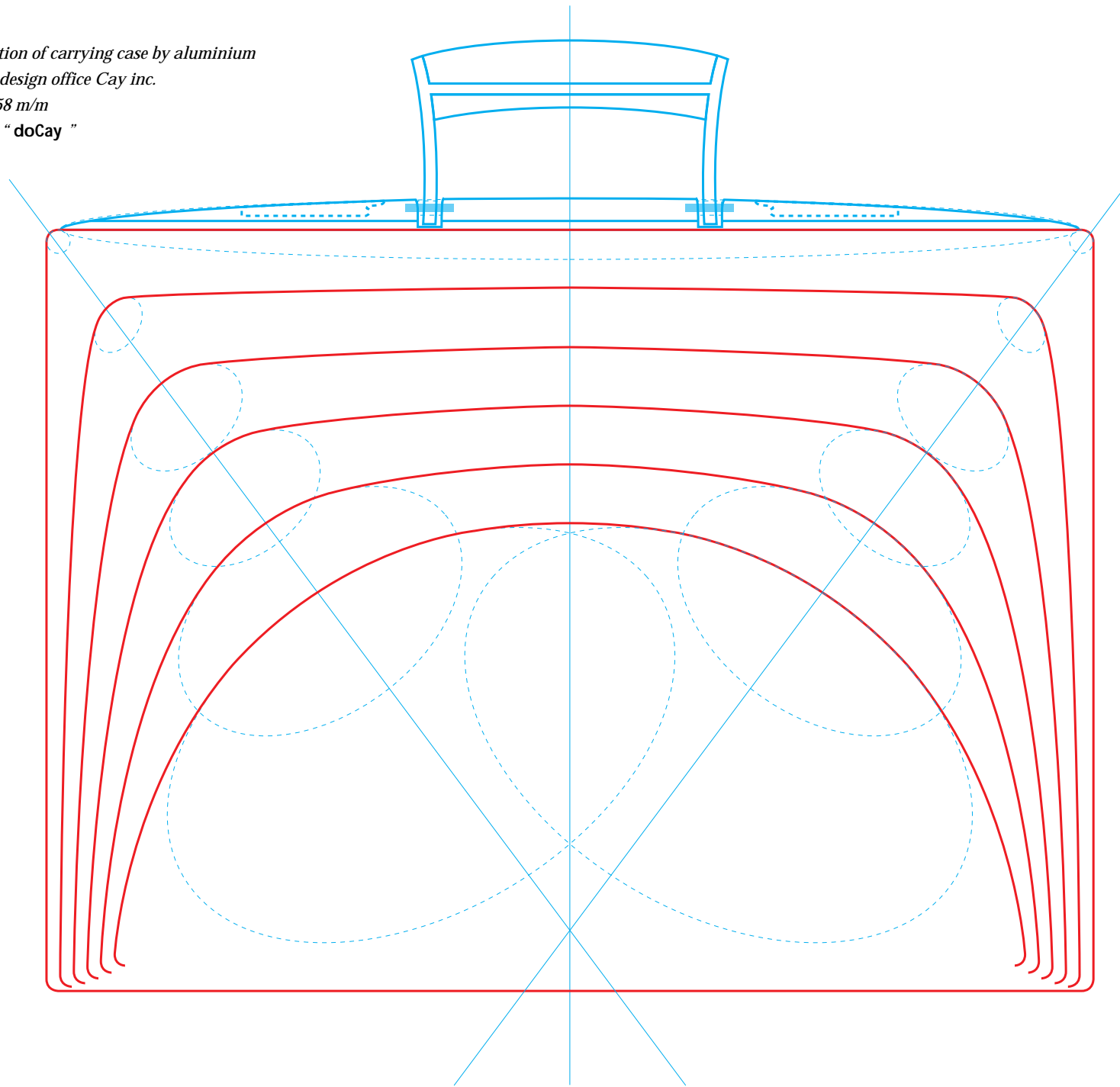




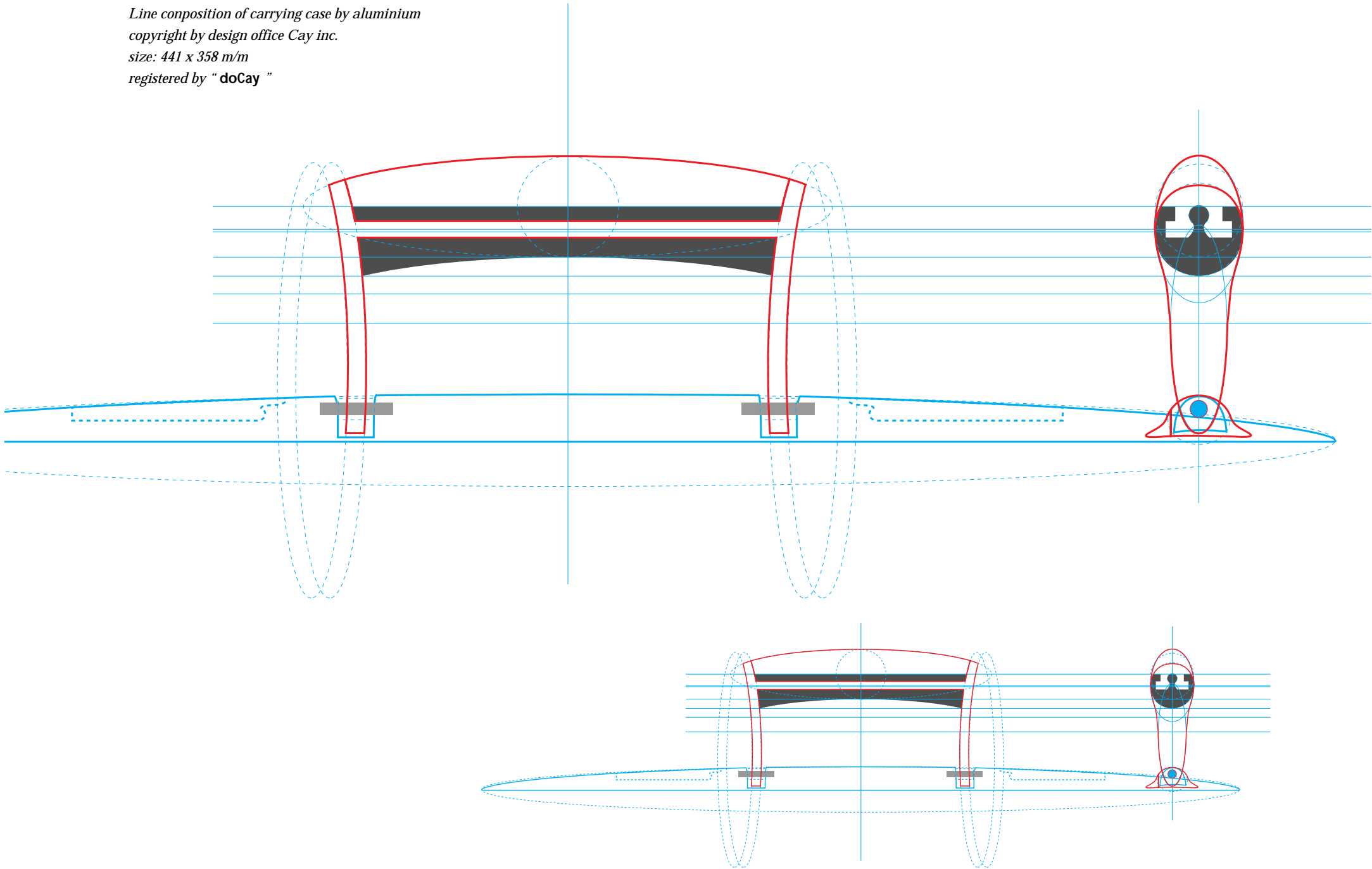
Line composition of carrying case by aluminium
copyright by design office Cay inc.
size: 441 x 358 m/m
registered by "doCay"



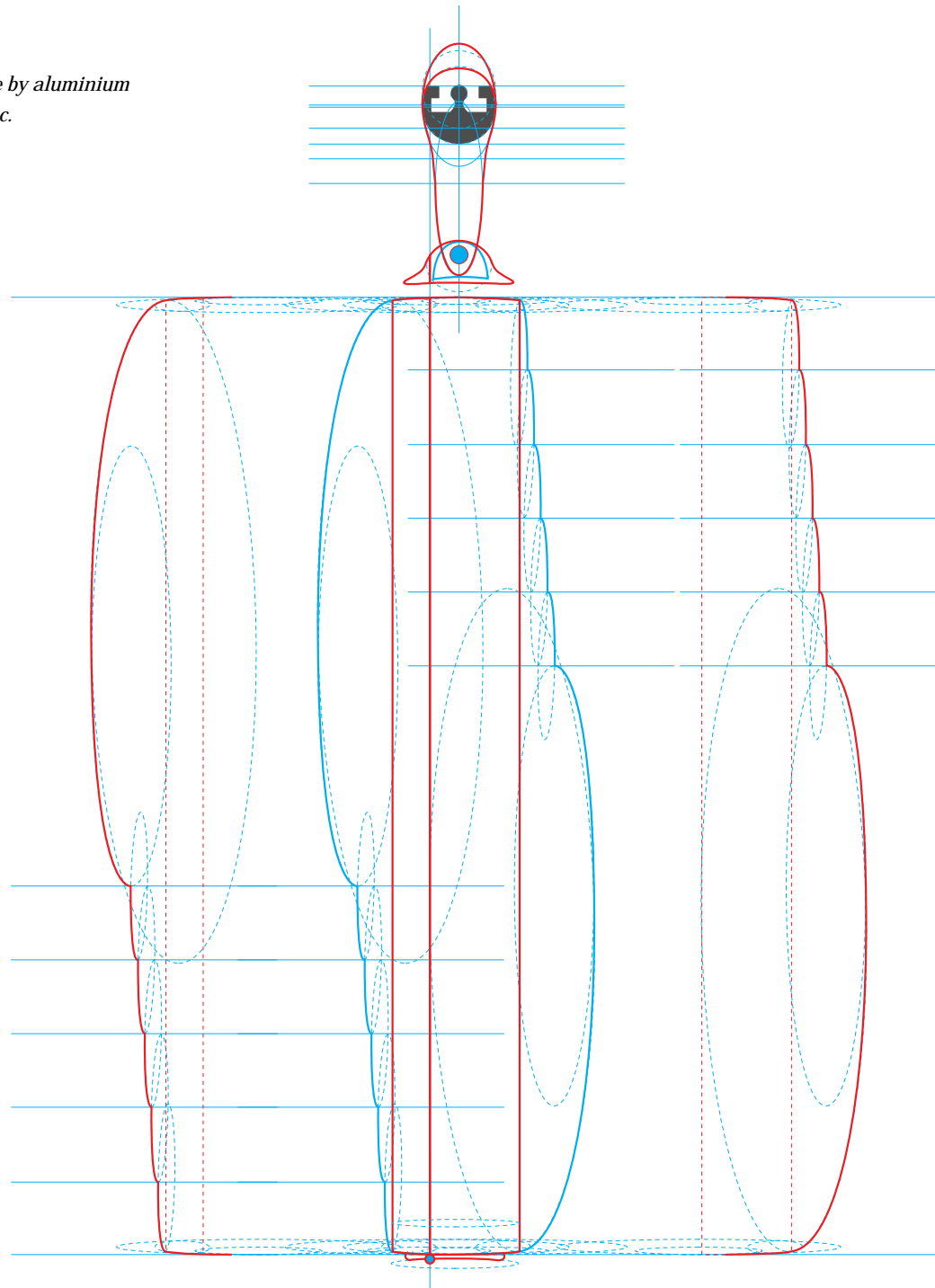
Line composition of carrying case by aluminium
copyright by design office Cay inc.
size: 441 x 358 m/m
registered by "doCay"



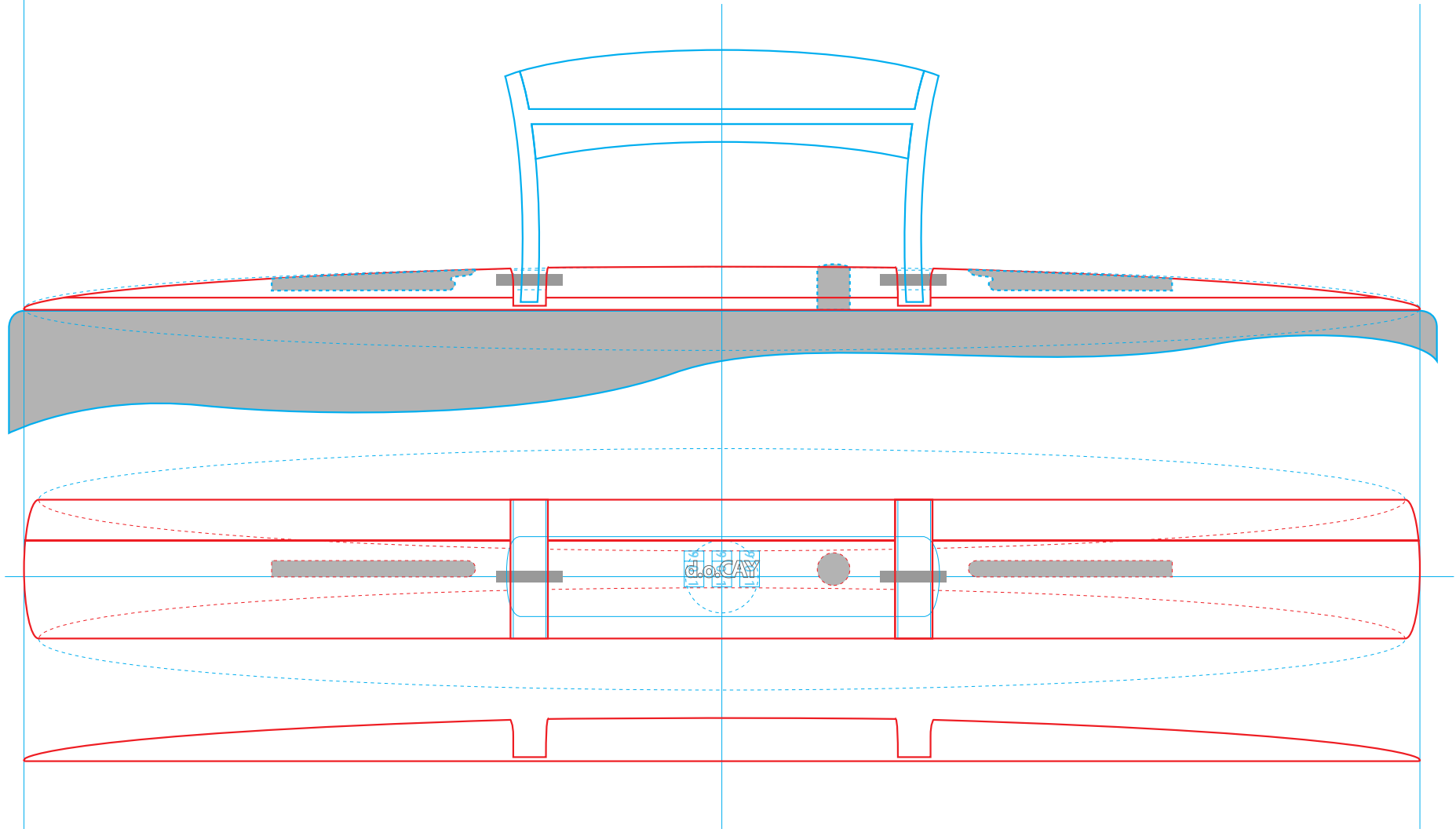
Line composition of carrying case by aluminium
copyright by design office Cay inc.
size: 441 x 358 m/m
registered by "doCay"

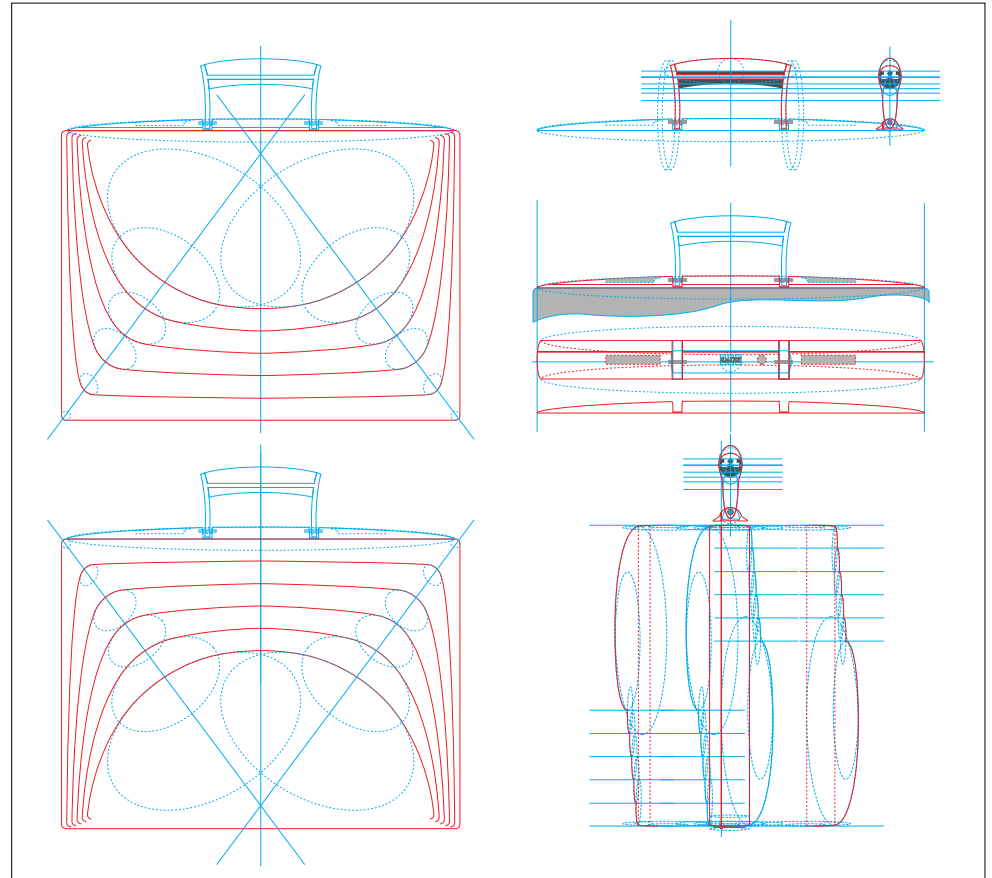
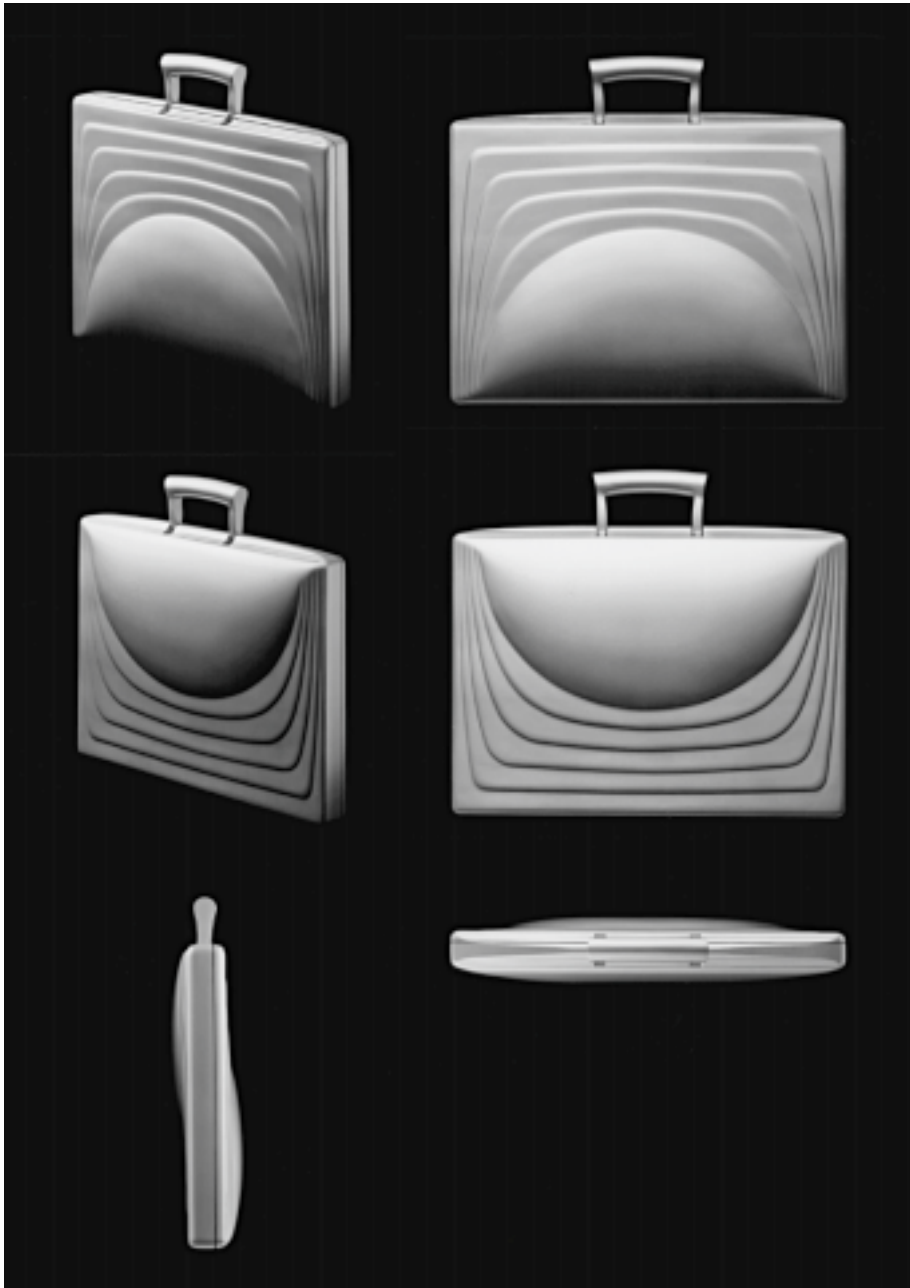


Line composition of carrying case by aluminium
copyright by design office Cay inc.
size: 441 x 358 m/m
registered by "doCay"



Line composition of carrying case by aluminium
copyright by design office Cay inc.
size: 441 x 358 m/m
registered by "doCay"





Attache case design
© 1991-2002 by design office Cay inc.
registered "doCay™"

date of the presentation _____

signature : _____